

S-Type Load Cell

500kg ... 5t Type N/C3

global weighing technologies



MP 46

- High quality alloy steel
- Aluminized coated finish for outstanding corrosion resistance
- Hermetically welded seal (IP67)
- Approved to OIML R60

APPLICATIONS

- Mechanical scale conversions
- Tank & Hopper scales
- Tension & compression measurement

Technical Data

Accuracy class

Minimum dead load

Rated capacity

Safe overload

Rated output

Tolerance on rated output

Tolerance on zero signal

Repeatability

Creep, during 30 min.

Temperature effect on zero

Temperature effect on output

Input impedance

Output impedance

Insulation impedance

Recommended supply voltage

Max. supply voltage

Nominal ambient temp. range

Usable ambient temp. range

Cable

Protection class

N

0.03 %

E_{min}

E_{max}

E_U

C_n

d_C

S_{min}

E_R

d_{cr}

TK_{smin}

TK_c

R_{LC}

R_O

R_{IS}

B_u

U_{max}

B_T

B_{TU}

-

-

C3

0.025 %

0 % E_{max}

s.table

150 % E_{max}

2 mV/V

± 0.25 % C_n

± 1 % C_n

< 0.012 % C_n

< 0.017 % C_n

< 0.021 % $C_n/10K$

< 0.011 % $C_n/10K$

400 $\Omega \pm 50 \Omega$

352 $\Omega \pm 3 \Omega$

$> 1000 \times 10^6 \Omega$

10 V

15 V

-10...+40°C

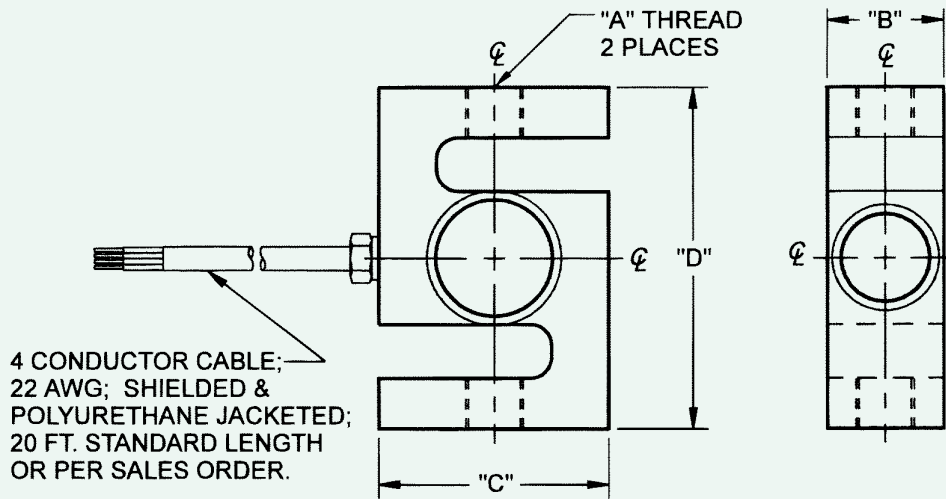
-20...+65°C

6 m, 4 wires with screen

IP 67

- Temperature effect on sensitivity and combined error (accuracy class) are combined in such a way that the load cells meet the tolerance envelope of the OIML recommendations R60.
- When selecting load cells for a particular environment, the IP rating should only be used as a guide. Care should be given to the design of the weighing product to protect the load cell.
- The correct mounting of the load cell is essential to obtain optimum performance.





Dimensions all in mm

Capacity	A	B	C	D	Deflection	Weight
500 kg	M 12x1.75	24.6	50.5	75.4	0.25	1.5 kg
1 t, 2 t	M 20x1.5	24.6	50.5	75.4	0.25	1.5 kg
3 t - 5 t	M 20x1.5	24.6	88.9	120.6	0.25	2.5 kg

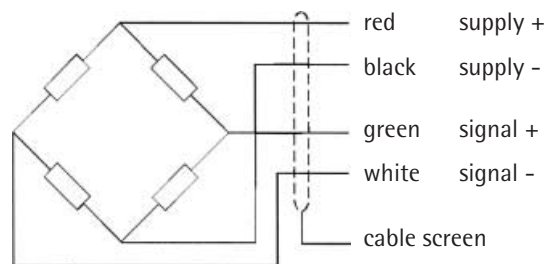
Type and Order Code

Max. capacity
2 mV/V

MP 46/52 N	MP 46/52 C3	500 kg
MP 46/13 N	MP 46/13 C3	1000 kg
MP 46/23 N	MP 46/23 C3	2000 kg
MP 46/33 N	MP 46/33 C3	3000 kg
MP 46/53 N	MP 46/53 C3	5000 kg

Accessories

Type	Description
MP 46/81	swivel eye for S type (500 kg)
MP 46/81	swivel eye for S type (1t ...5t)



Definitions acc. to VDI/VDE 2637, Technical data and dimension for product description only. Data subject to change without notice.

Autoryzowany przedstawiciel GWT GLOBAL Weighing Technology

P.H.U. WEGA Andrzej Zubka
80-299 Gdansk Osowa
ul. Kasjopei 30A

Dział handlowy
Tel. (058) 554-52-29
Fax. (058) 522-90-05
e-mail: wega@gd.onet.pl
http://www.phu-wega.pl

GWT Global Weighing Technologies GmbH
Meiendorfer Straße 205
D-22145 Hamburg, Germany
Tel. (+49) 40 679 60-303
Fax (+49) 40 679 60-383
www.global-weighing.com